



Scan for full manual

WP-3H2 Panel Set Quick Start Guide

This guide helps you install and use your **WP-3H2 Panel Set** for the first time.

Step 1: Check what's in the box

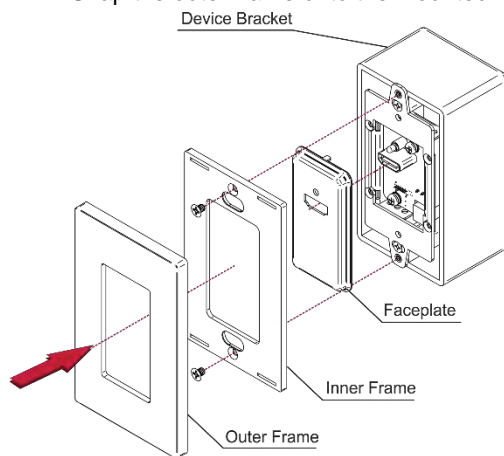
- ✓ 1 faceplate
- ✓ 1 EU frame or 1 US Frame
- ✓ 1 UK frame
- ✓ 1 Quick start guide

Step 2: Install the WP-3H2 Panel Set

After mounting the device (see [www.kramerav.com/downloads/WP-3H2 EU PANEL SET](http://www.kramerav.com/downloads/WP-3H2_EU_PANEL_SET)) attach the frame to the device and then click in the faceplate as follows:

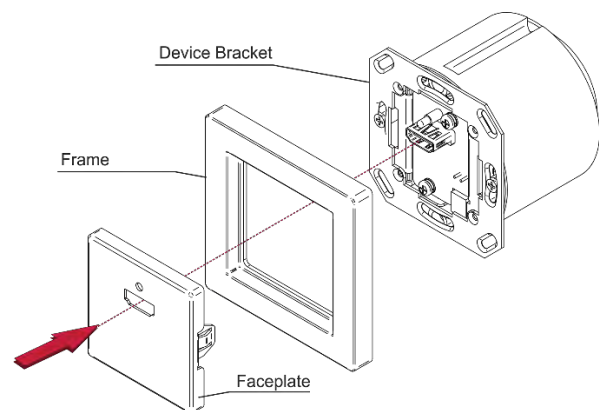
To install the US Version:

1. Attach the faceplate to the device bracket.
2. Separate the outer frame from the inner frame.
3. Screw the inner frame onto the device using the 2 inner frame screws.
4. Snap the outer frame onto the mounted inner frame



To install European Version:

1. Attach the frame to the device bracket.
2. Snap the faceplate into the frame.



We recommend that you use any of the following standard 1 Gang in-wall junction boxes (or their equivalent):

- **US-D:** 1 Gang US electrical junction boxes.
- **EU:** 1 Gang in-wall junction box, with a cut-hole diameter of 68mm and depth that can fit in both the device and the connected cables (DIN 49073).
- **UK:** 1 Gang in-wall junction box, 75x75mm (W, H), and depth that can fit in both the device and the connected cables (BS 4662).